



Rove Concepts

## Antonio Left Arm Chaise - High Back

European styling and generous proportions give the Antonio a unique and stunning presence. Meticulously structured seams and a low profile are modern and minimalist. High chaise pillow tops create corners of intimacy while low back modules leave living space unobstructed for a feeling of openness. Various configurations of this collection allow for customization to any space.

[See the entire Antonio Collection here.](#)

[Also available in modular sectional here.](#)

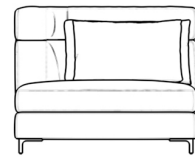
[Learn more about the Antonio design here.](#)

### Details

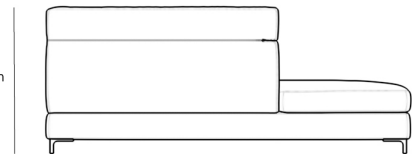
- Kiln-dried hardwood frame with doweled joints and reinforced corner blocks
- Soft-padded frame made with polyurethane foam wrapped in polyester fiber
- 8 gauge sinuous spring construction
- 3 layer high-density foam cushioning topped with premium 100% goose feathers
- Double layer back cushions are stitched together
- Connectors are not used with this piece
- Low profile solid stainless steel legs
- Soft Feel (Learn more about our sofa firmness here.)
- Legs require light assembly

### Dimensions

41 in x 82 in x 33 in (Width x Depth x Height)  
Seat Height: 16.5 in  
All measurements are approximations.



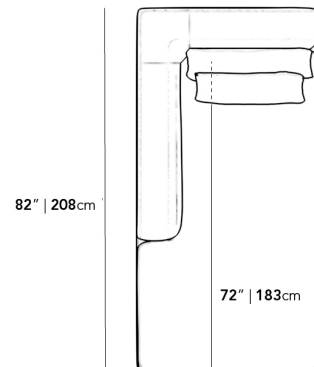
41" | 104cm



33" | 83.8cm

16.5" | 42cm

82" | 208cm



82" | 208cm

72" | 183cm